

# HT7000 Series Temperature and Humidity Transmitter



The power behind **your mission**



# Johnson Controls HT7000 series temperature and humidity transmitter

Johnson Controls HT7000 series temperature and humidity transmitter is designed for office building, hospital and other application, which is a basic sensor product can detect the ambient temperature and humidity parameter. This product selects high precision sensing element and circuit to convert the measured value into analog signal output to compatible with Johnson Controls BAS system.



## Feature

- Good long-term stability and anti-interference ability
- Static overvoltage and reverse connection protection
- IP65 High IP protection
- Multiple installation modes available



## Naming Rule

Series	Installation Mode	Temperature Measurement Range	Output	Humidity Accuracy
HT7000	D: Duct Type	1: -40~60 °C	V: Voltage output 0-10V	3: ±3%RH
	W: Wall Mount	2: -20~80 °C	C: Current output 4-20mA	
		3: 0~50 °C		
		4: -10~50 °C		



## Selection Table

Part Number	Output	Temperature Accuracy	Temperature Measurement Range	Humidity Accuracy	Humidity Measurement Range	IP Protection
HT7000D1V3	0-10V	±0.3°C @25°C	-40~60°C	±3%RH@ 25°C & 20~80%RH	0-100%RH	IP65
HT7000D1C3	4-20mA	±0.3°C @25°C	-40~60°C	±3%RH@ 25°C & 20~80%RH	0-100%RH	IP65
HT7000D2V3	0-10V	±0.3°C @25°C	-20~80°C	±3%RH@ 25°C & 20~80%RH	0-100%RH	IP65
HT7000D2C3	4-20mA	±0.3°C @25°C	-20~80°C	±3%RH@ 25°C & 20~80%RH	0-100%RH	IP65
HT7000D3V3	0-10V	±0.3°C @25°C	0~50°C	±3%RH@ 25°C & 20~80%RH	0-100%RH	IP65
HT7000D3C3	4-20mA	±0.3°C @25°C	0~50°C	±3%RH@ 25°C & 20~80%RH	0-100%RH	IP65
HT7000W1V3	0-10V	±0.3°C @25°C	-40~60°C	±3%RH@ 25°C & 20~80%RH	0-100%RH	IP65
HT7000W1C3	4-20mA	±0.3°C @25°C	-40~60°C	±3%RH@ 25°C & 20~80%RH	0-100%RH	IP65
HT7000W3V3	0-10V	±0.3°C @25°C	0~50°C	±3%RH@ 25°C & 20~80%RH	0-100%RH	IP65
HT7000W3C3	4-20mA	±0.3°C @25°C	0~50°C	±3%RH@ 25°C & 20~80%RH	0-100%RH	IP65
HT7000W4V3	0-10V	±0.3°C @25°C	-10~50°C	±3%RH@ 25°C & 20~80%RH	0-100%RH	IP65
HT7000W4C3	4-20mA	±0.3°C @25°C	-10~50°C	±3%RH@ 25°C & 20~80%RH	0-100%RH	IP65



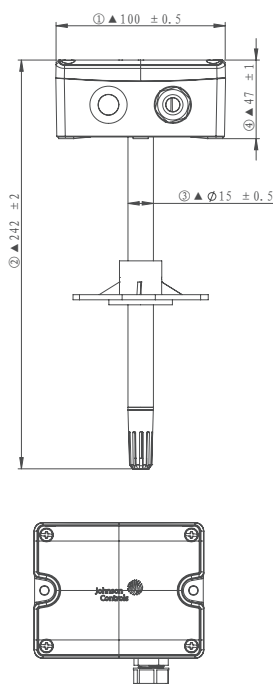
# Specification

Temperature sensing element	PT1000(measure accuracy $\pm 0.2K@25^{\circ}C$ )
Humidity sensing element	Capacitor
Temperature measurement range	Duct type: $-40\sim 60^{\circ}C, -20\sim 80^{\circ}C, 0\sim 50^{\circ}C$ Wall mount: $-40\sim 60^{\circ}C, 0\sim 50^{\circ}C, -10\sim 50^{\circ}C$
Temperature accuracy	$\pm 0.3^{\circ}C @25^{\circ}C$
Temperature output	0-10V 4-20mA
Humidity measurement range	0-100%RH
Humidity accuracy	$\pm 3\%RH (25^{\circ}C, 20\sim 80\%RH)$
Humidity output	0-10V, 4-20mA
IP Protection	IP65
Power supply	Voltage output: $15\sim 35VDC/24VAC \pm 20\%$ ; Current output: $18.5\sim 35VDC (RL=500\Omega), 8.5\sim 35VDC (RL=0\Omega)$
Output Load	$\leq 500\Omega$ (current output), $\geq 3k\Omega$ (voltage output)
Closure	PC (UL94-V0)
Working environment	$-20\sim 60^{\circ}C$ & $5\sim 95\%RH$ (No condensation)
Storage environment	$-20\sim 60^{\circ}C$ & $5\sim 95\%RH$ (No condensation)
Certificate	CE

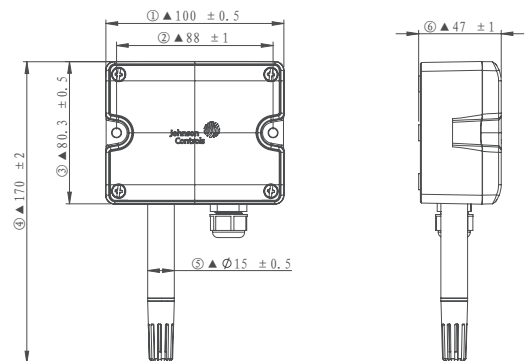


# Dimension

## Duct Type



## Wall Mount



## Johnson Controls:

At Johnson Controls (NYSE:JCI) we transform the environments where people live, work, learn and play. As the global leader in smart, healthy and sustainable buildings, our mission is to reimagine the performance of buildings to serve people, places and the planet.

With a history of more than 135 years of innovation, Johnson Controls delivers the blueprint of the future for industries such as healthcare, schools, data centers, airports, stadiums, manufacturing and beyond through its comprehensive digital offering OpenBlue. With a global team of 100,000 experts in more than 150 countries, Johnson Controls offers the world's largest portfolio of building technology, software as well as service solutions with some of the most trusted names in the industry.

For more information, visit [www.johnsoncontrols.com](http://www.johnsoncontrols.com) or follow us [@johnsoncontrols](https://twitter.com/johnsoncontrols) on Twitter.

### AUSTRALIA

5 Lindwall Place,  
Rouse Hill,  
NSW 2155, Australia

### HONG KONG

11/F & 12/F,  
Millennium City 6,  
392 Kwun Tong Road,  
Kwun Tong,  
Kowloon, Hong Kong

### INDONESIA

Wisma 77, 16th Floor,  
Jl. S. Parman Kav. 77,  
Slipi,  
Jakarta 11410,  
Indonesia

### MALAYSIA

Luxor Tech Centre,  
Level 2,  
No. 1A, Jalan  
Teknologi, Taman  
Sains Selangor 1, Kota  
Damansara, PJU 5,  
47810 Petaling Jaya,  
Selangor Darul Ehsan,  
Malaysia

### SINGAPORE

31 International  
Business Park Road,  
#03-02, Lobby D & E,  
Singapore 609921

### KOREA

34, Mareunnae-ro,  
Jung-gu,  
Seoul, 04555, Korea

### THAILAND

33/4 The Ninth  
Towers, Grand Rama  
9, 29<sup>th</sup> Floor, Tower B  
Rama 9 Road  
Huaykwang,  
Bangkok, 10310  
Thailand

The power behind **your mission**

